

BUILD IT WITH
REDWOOD

Sonoma Picnic Table



REDWOOD

Naturally beautiful
Easy to use
Practical and economical
Durable and stable
Resistant to decay and insects

Sonoma Picnic Table

An excellent weekend project, this easy-to-build picnic table will soon become the focal point of your backyard. Redwood's beauty and durability will ensure countless summers filled with barbecues, picnics and outdoor parties.

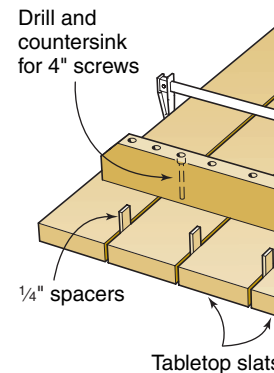
The economical, knotty redwood garden grades, such as Construction Common or Deck Common, are great choices for building your table. For maximum durability, choose Construction Heart or Deck Heart.

TABLE CONSTRUCTION

While this project is easy to build, cutting the legs and braces to length may prove challenging. So, check the materials lists and the text carefully, and then measure and cut as you go.

1. Table top Measure and cut the 2x6 slats. Lay the slats on a clean and stable work surface with their most attractive sides down. Separate the slats with 1/4-inch spacers and square. Clamp the slats together with a bar clamp.

2. Cleats Cut the 2x4 cleats to 27 inches and trim the ends at 45° angles starting 2 inches down from top edge. Place a cleat on edge 7 inches from each end of the table top. Allow a 3/4-inch margin from the table's edges. With the combination countersink bit, drill two screw holes into the cleat above each slat, deep enough to set the screw heads below the surface. Fasten to slats with 4-inch screws.

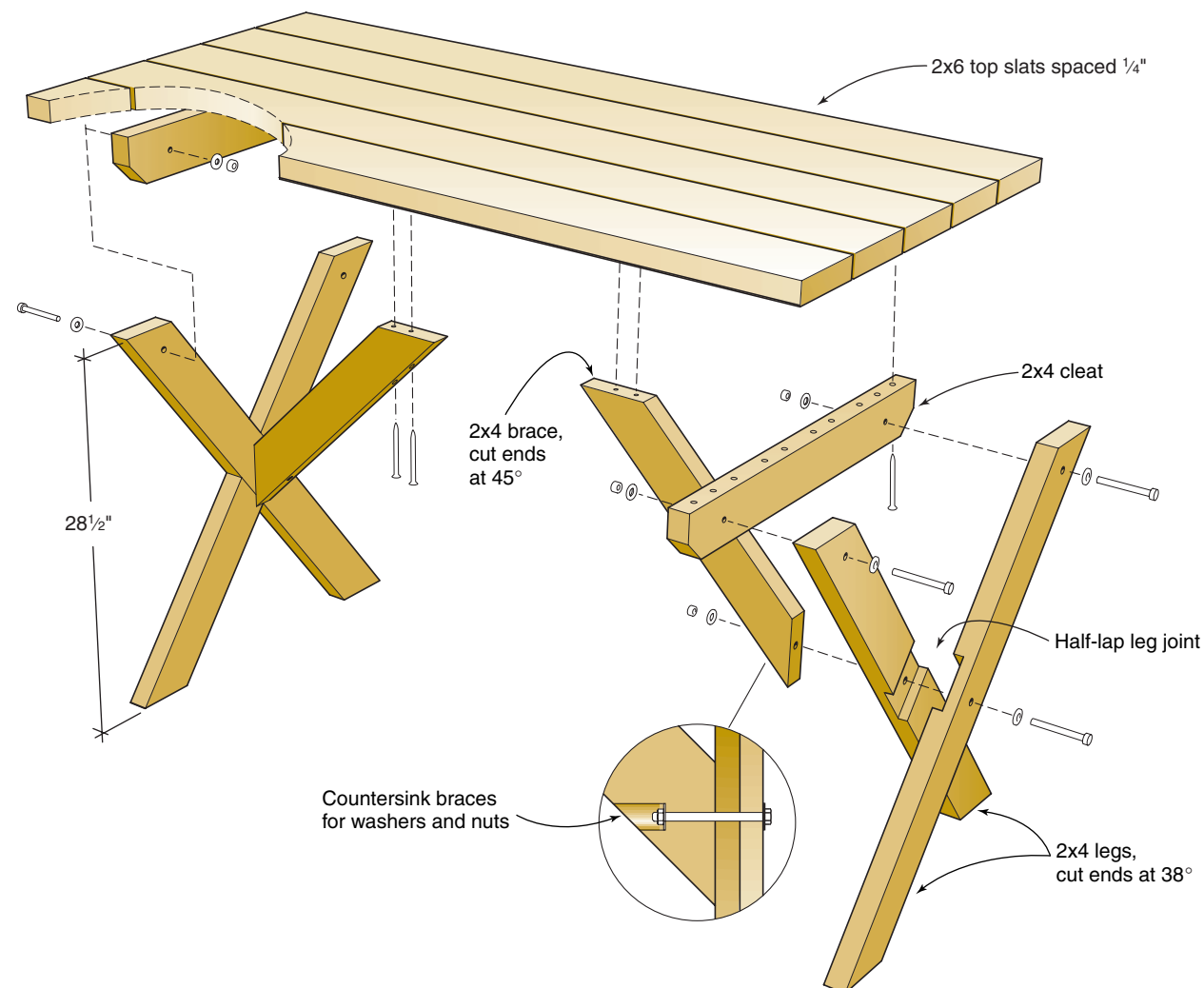


3. Legs Mark two 2x4s with trim marks 33 3/16 inches in length, then trim the legs with 38° parallel angle cuts. Loosely clamp legs together at their centers with C clamps. Open the legs to make an "X" with a 28 1/2-inch span at each side, with tops and bottoms aligned. Mark along the sides of each leg where they cross. Remove the clamp and cut the half laps from each 2x4 leg. Reclamp the legs in position.

Attach leg assemblies to table top cleat with two 3 1/2-inch by 1/4-inch machine bolts at each connection.

4. Braces Trim the table braces with 45° opposite angles at both ends to fit between the table leg assembly and the table top. Attach braces to table top with 4-inch screws from below. Drill bolt holes through the "X" of the legs and completely through the angled ends of each 2x4 brace. Countersink the bolt holes to accommodate washers and nuts. Install the bolts and remove the clamps.

Tools you will need Tape measure, power drill/driver, drill bits, countersink bit, bar and C clamps, angle dividers, adjustable wrench, socket head, power or hand saw and hammer.



Materials For Table

	Quantity	Size	Length
Top slats	5	2x6	60 inches
Cleats	2	2x4	27 inches
Legs	4	2x4	36 inches*
Braces	2	2x4	24 inches*
Machine bolts, washers and nuts	6 sets	3 1/2 inch x 1/4 inch	
Deck screws	1 pound	4 inches	

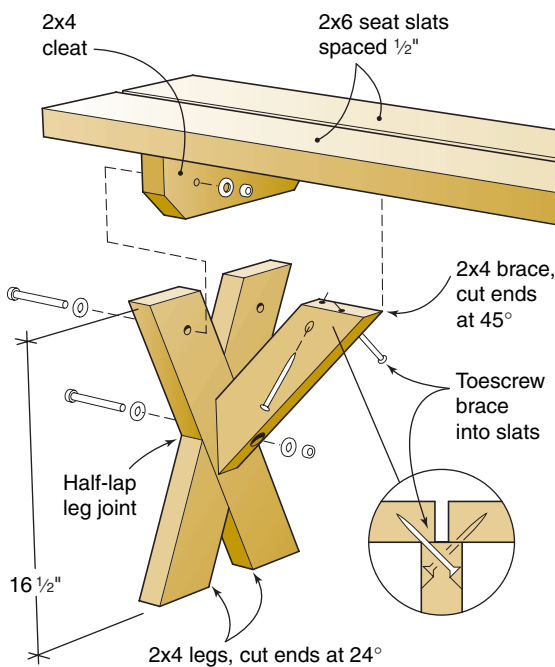
Materials For Benches

	Quantity	Size	Length
Top slats	4	2x6	60 inches
Cleats	4	2x4	11 1/2 inches
Legs	8	2x4	20 inches*
Braces	4	2x4	16 inches*
Machine bolts, washers and nuts	12 sets	3 1/2 inch x 1/4 inch	
Deck screws	1 pound	4 inches	

*Additional angle cuts required; see text.

BENCH CONSTRUCTION

Follow the same basic construction methods described for the table, using the dimensions given in the illustration below and in the bench materials list. To trim the bench legs, mark two 2x4s at $18\frac{1}{16}$ inches and make parallel end cuts at 24° . Trim the 2x4 bench braces with 45° end cuts to final size—about $15\frac{1}{2}$ inches on longest edge.



Sanding and Finishing

Sand table and bench tops with medium grit sandpaper. Apply a water repellent finish.

Contact the California Redwood Association for more great publications containing redwood technical and building information. Call us toll free at 1-888-Cal-Redwood for a complete literature list or to ask for any of the titles listed here:

Other Construction Tipsheets

Deck Over Concrete	Mendocino Bench
Freestanding Deck	Lake Tahoe Gazebo
Calistoga Spa Surround	Petaluma Planters
Windsor Shade Shelter	Adirondack Swing
Monterey Potting Center	Santa Cruz Sandbox
Adirondack Chair	2 x 2 Baluster Railings
Garden Tool Shed	

Also Available

Deck Construction	Deck Grades, Nails and Finishes
Fences for All Reasons	Landscape Architecture

Redwood

For beauty and performance, redwood is naturally superior to other woods. That's why it's the first choice for decks, fences and most outdoor projects. Redwood retains its beauty outdoors, shrinks and swells less than other woods and is less likely to warp, split, check or cup. With little or no pitch, redwood is easy to drill, saw and shape. Redwood heartwood has natural durability and resistance to insects and will last longer outdoors than most woods.

Grades

The knotty garden grades of redwood are ideal for outdoor projects. These grades are beautiful, durable and economical.

Construction Heart/Deck Heart is all heartwood and contains knots; used for load-bearing applications near the ground. Deck Heart is graded for strength and is available in 2x4 and 2x6.

Construction Common/Deck Common contains sapwood and knots; used for decking and above-ground uses. Deck Common is graded for strength and is available in 2x4 and 2x6.

Merchantable Heart is all heartwood and contains larger knots than Construction grades; used near the soil.

Merchantable contains sapwood and larger knots; used for fence boards, rails and above-ground uses.

Finishes

Redwood accepts finishes better than most woods. Some heighten redwood's natural beauty, bringing out the color and the grain. Others help the wood harmonize or contrast with surrounding structures. Read the labels on all finish products before using.

No-finish option Redwood performs better than most woods if left unfinished. This no-maintenance option will result in redwood weather-bleaching to a soft driftwood gray.

Clear water repellent finish is recommended to stabilize the color at tan.

Semitransparent stains in "redwood" shades tint the wood without hiding the grain.

Solid-color stains or paints should be applied over compatible oil-based primers.

Fasteners

Use only non-corrosive hardware such as aluminum, stainless steel or top quality hot-dipped galvanized screws or nails.

Ordinary nails and screws will cause stains.



405 Enfrente Drive, Suite 200
Novato, CA 94949-7201
Telephone 415 382-0662
Toll Free 888 Cal-Redwood
Fax 415 382-8531
www.calredwood.org